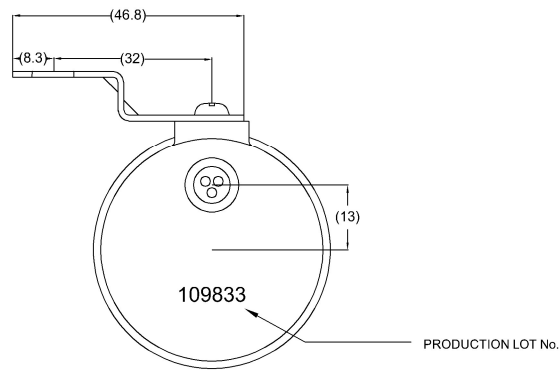
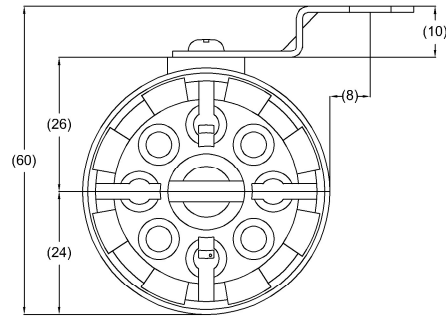
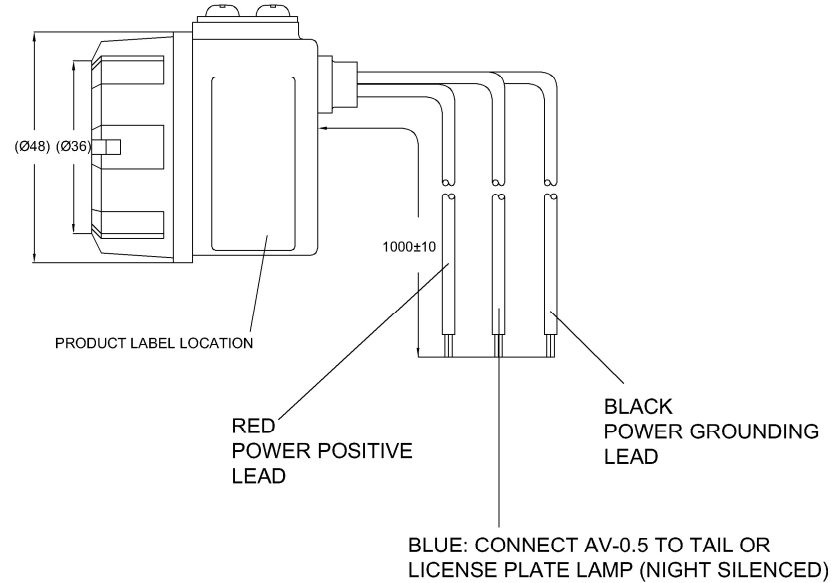
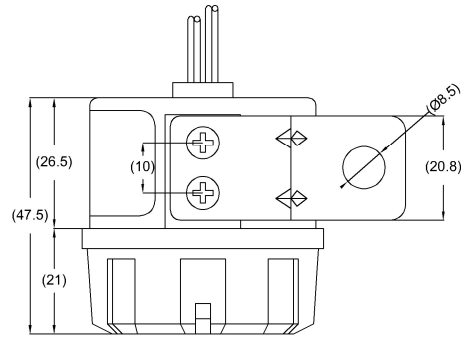


Revision Notes.				
R1 -				
APA:	Drawn:	Checked:	Approved:	Date:



SPECIFICATION:

1. RATED VOLTAGE 12~24V DC
2. WORKING VOLTAGE RANGE: 9V THROUGH 30V DC
3. RATED CURRENT: 30±10mA AT RATED VOLTAGE
4. SOUNDS PRESSURE: 90±6dB AT A DISTANCE OF 1m AND RATED VOLTAGE
5. FREQUENCY: 2400±300Hz AS POWERED AT RATED VOLTAGE
6. STARTING VOLTAGE: START TO SOUND AT 9V DC
7. VIBRATION RESISTANCE: TO BE FREE FROM ABNORMALITY AFTER TESTED AS SPECIFIED IN 6.8.G TYPE B CLASS 3 JIS D 1601
8. WATER RESISTANCE: TO BE FREE OF ABNORMALITY AFTER TESTED AS SPECIFIED IN S1 JIS D 0203
9. DURABILITY: CONTINUOUSLY OPERABLE FOR 200 HOURS AT RATED VOLTAGE
10. INTERMITTENCY: 80±10 CYCLES/MIN. AT RATED VOLTAGE.

NOTES:
1. FOR PACKAGING & LABELING DETAIL REFER TO THE LATEST REVISION OF THE MASTER BOM

PROPRIETARY NOTICE
THIS DESIGN AND TECHNICAL INFORMATION APPEARING ON THIS DRAWING IS THE PROPERTY OF BRIGADE ELECTRONICS, AND IS DISCLOSED IN CONFIDENCE. IT IS NOT TO BE COPIED, REPRODUCED, REVEALED TO OR EXPROPRIATED BY OTHERS, EITHER IN WHOLE OR IN PART WITHOUT THE EXPRESS WRITTEN CONSENT OF BRIGADE ELECTRONICS.

BRIGADE
www.brigade-electronics.com

Assembly Pl Approval W. FUKUZAWA	Approved by A. KEBEDE	Checked by D. FOALE	Drawn by L. CHEUNG
<p>Angle of Projection</p> <p>Third Angle</p>	Units mm	Scale N/A	Released 11/06/24
	Status RELEASED	Assembly Ref BA-57	
	Part No 0027A	BE-004910-00-24	